

The JBL logo is displayed in white, bold, sans-serif capital letters on a black rectangular background.

JBL SOUND POWER SERIES

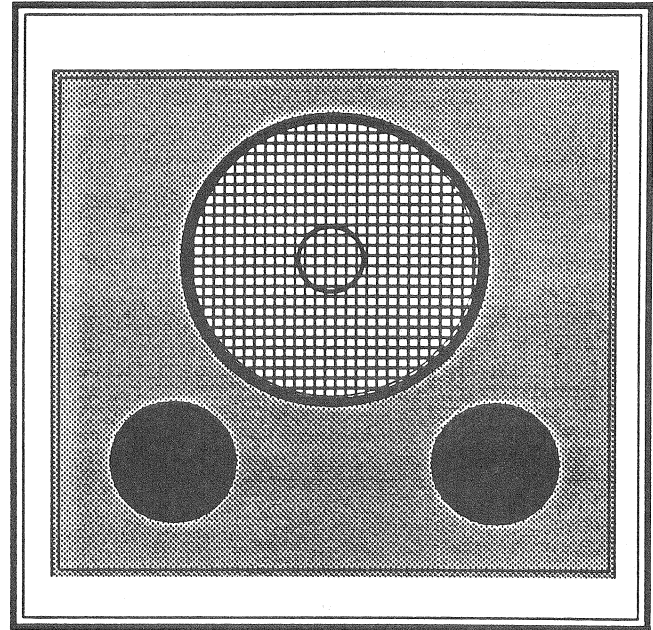
# 4748A

## 460 MM (18") DIRECT RADIATOR SUB-BASS SYSTEM

PRELIMINARY SPECIFICATION SHEET

### FEATURES:

- Uniform response and power handling down to 35 Hz
- Heavy duty internally braced non-resonant cabinet
- JBL 2241H direct radiating driver
- Rugged and attractive finish



The JBL 4748A is largest of the Sound Power Series direct radiator sub-bass loudspeaker systems. It is designed to augment the low frequency performance of Sound Power Series 4750A, 4755A and 4770A full-range systems in auditoriums and other large venues. Use of the 4748A sub-bass loudspeaker to handle ultra-low frequencies enables the companion full-range system to operate more efficiently and generate greater output level.

The Sound Power Series 4748A is designed to be driven actively by the JBL 5235 or other external electronic crossover and amplifier, and will uniformly reproduce frequencies down to 35 Hz. For sub-bass performance only, the recommended crossover range is 80 Hz to 150 Hz, but response up to 800 Hz makes the 4748A suitable for handling low-mids as well.

One JBL 2241H 460 mm (18") low frequency, low distortion cone driver is the heart of the 4748A. The bass driver has a steel protective grille in addition to a removable black nylon front grille.

The 4748A cabinet is constructed from 18 mm (3/4 in) Finnish birch plywood. For resistance to cabinet resonances as well as overall strength and durability, it is heavily braced internally. The large port design prevents compression effects and vent-induced air noise. The durable, professional dark gray acid-hardened finish will survive the scuffs and knocks of life on the road, and recessed handles are protected from breakage.

Simplicity in set-up is assured by loop-through 8-pin Neutrik Speakon™ sockets for connection to Sound Power Series systems. The heavy-duty rear connector panel features a threaded insert to accept an M12 safety eyebolt. JBL's special 8-conductor cabling is available as an option, featuring four different wire gauges for the four frequency bands.

# PRELIMINARY SPECIFICATIONS

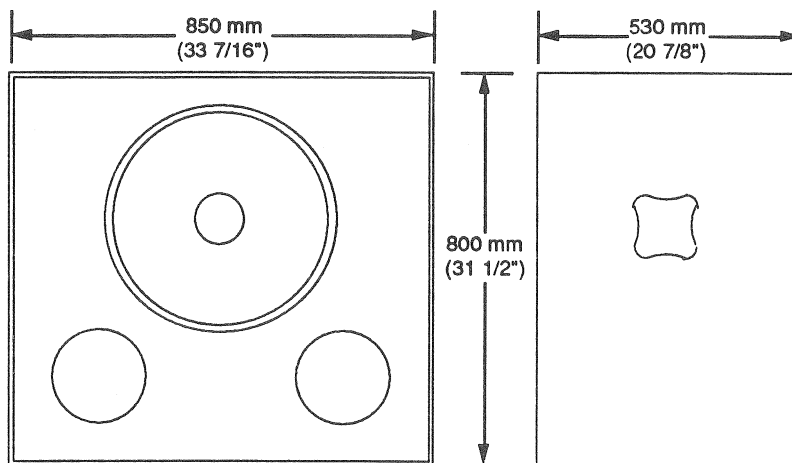
## Model 4748A

Components	1 – JBL 2241H low frequency transducer
Frequency range (–10 dB)	30 Hz—2 kHz
Frequency response ( $\pm 3$ dB)	35 Hz—800 Hz
Enclosure tuning	35 Hz
Sensitivity	98 dB (2.83 V, 1 m)*
Power capacity	600 W (AES standard, 50—500 Hz)
Maximum SPL (1 m, continuous program)	TBA
Recommended crossover frequencies	80 Hz—800 Hz, 30 Hz low cut
Nominal impedance	8 ohms
Connectors	2 – Neutrik Speakon NL8MPR
Dimensions	800 mm H x 850 mm W x 530 mm D (31 1/2" H x 33 7/16" W x 20 7/8" D)
Finish	Dark grey acid-hardened paint with black nylon grille
Net weight	53 kg (117 lb)

### Accessories:

NL8FC	Neutrik Speakon Cable Connector, 8-Pin
NL8MM	Neutrik Speakon Coupler, 8-Pin
3700-8	8-Wire Speaker Cable
3705-8	8-Wire Speaker Cable, 5 m, with NL8FC Connectors
3720-8	8-Wire Speaker Cable, 20 m, with NL8FC Connectors
4700APNT	Touch-Up Paint

\* 2.83 V is 1 W across an 8 ohm load.



JBL continually engages in research related to product improvement. New materials, production methods and design refinements are introduced into existing products without notice as a routine expression of that philosophy. For this reason, any current JBL product may differ in some respect from its published description but will always equal or exceed the original design specifications unless otherwise stated.

